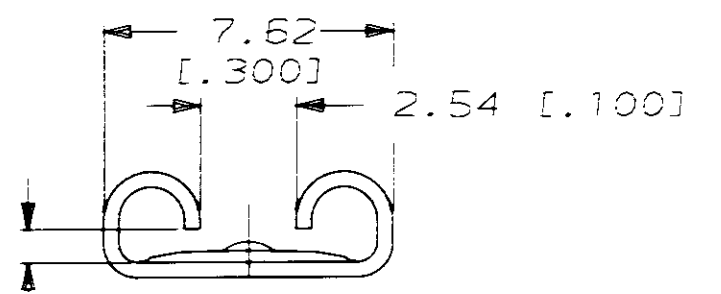
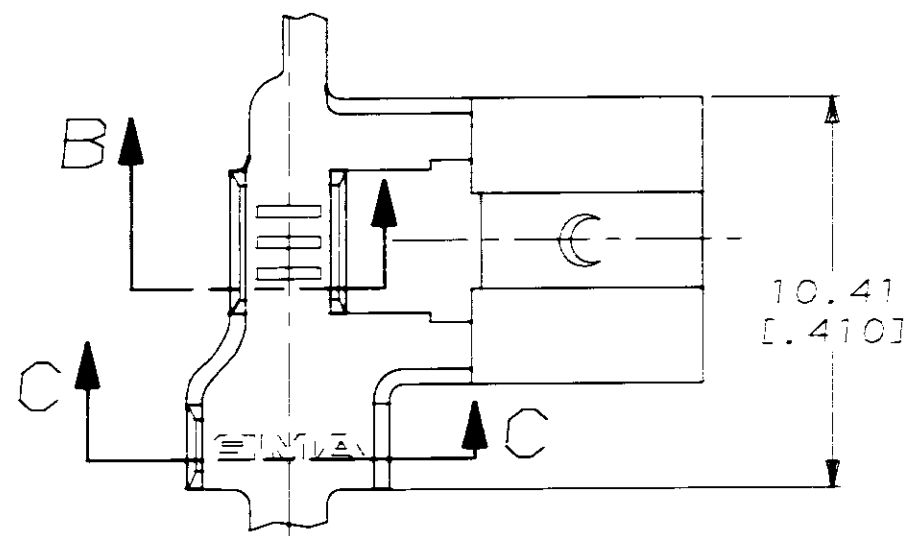


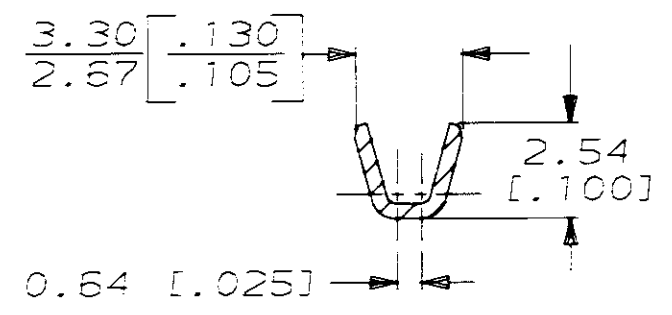
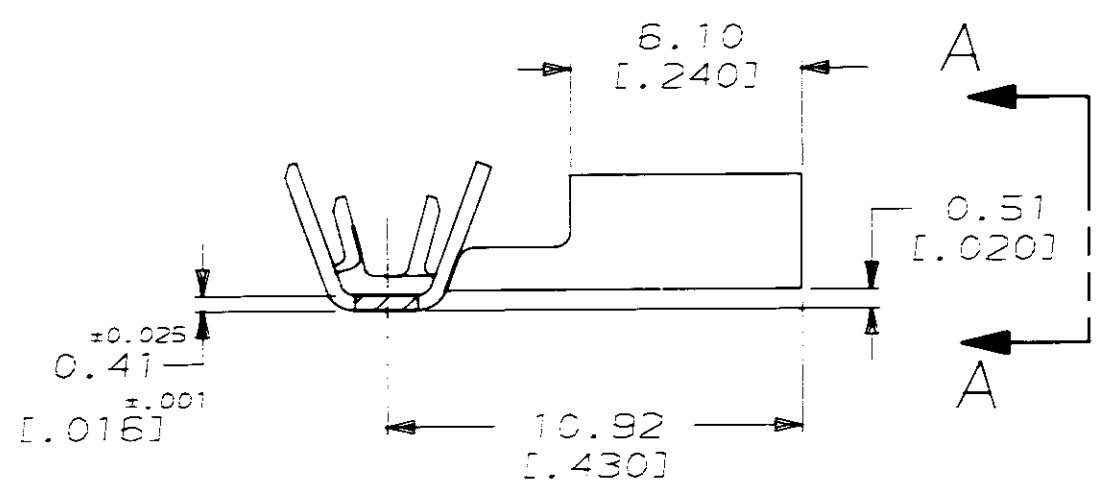
THIS DRAWING IS UNPUBLISHED. RELEASED FOR PUBLICATION
 © COPYRIGHT 19 BY AMP INCORPORATED. ALL INTERNATIONAL RIGHTS RESERVED.

LOC	DIST	REVISIONS				
AF	50	P	F	ZONE	LTR	
		E REVISED AF-7656			DATE	APPD
					10/9/91	JR

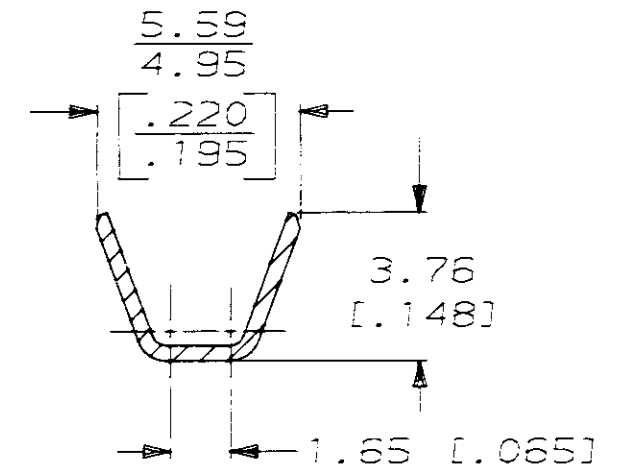


FITS 6.35 [.250] SERIES FASTON TAB
 VIEW A-A

1 CONTINUOUS STRIP ON REELS.



SECTION B-B



SECTION C-C

METRIC

TIN	1.52-2.54 [.060-.100] DIA	0.3-0.9mm ² [22-18] AWG	0.81 [.032]	62814-2 62814-1
FINISH	INSUL RANGE	WIRE SIZE	MATING TAB THK ±0.025 [.001]	PART NO
DO NOT SCALE PRINT. UNLESS SPECIFIED DIMENSIONS IN mm [INCHES] TOLERANCES ON: 2 PLC DEC * - 3 PLC DEC * 0.38 : 0.15 ANGLES * -	DR 4/8/91 JR RUTH CHK 4/8/91 MS FEHER	APPD 4/8/91 C MEYERS APPD 4/8/91 R KUZD	AMP AMP Incorporated Harrisburg, PA 17105-3608 NAME RECEPTACLE, FASTON, FLAG, 6.35 [.250] SERIES	
MATERIAL 4M BRASS	PRODUCT SPEC	APPLICATION SPEC	SIZE B	CAGE CODE 00779
FINISH SEE TABLE	WEIGHT	SCALE 5:1	DRAWING NO 62814	SHEET 1 OF 1